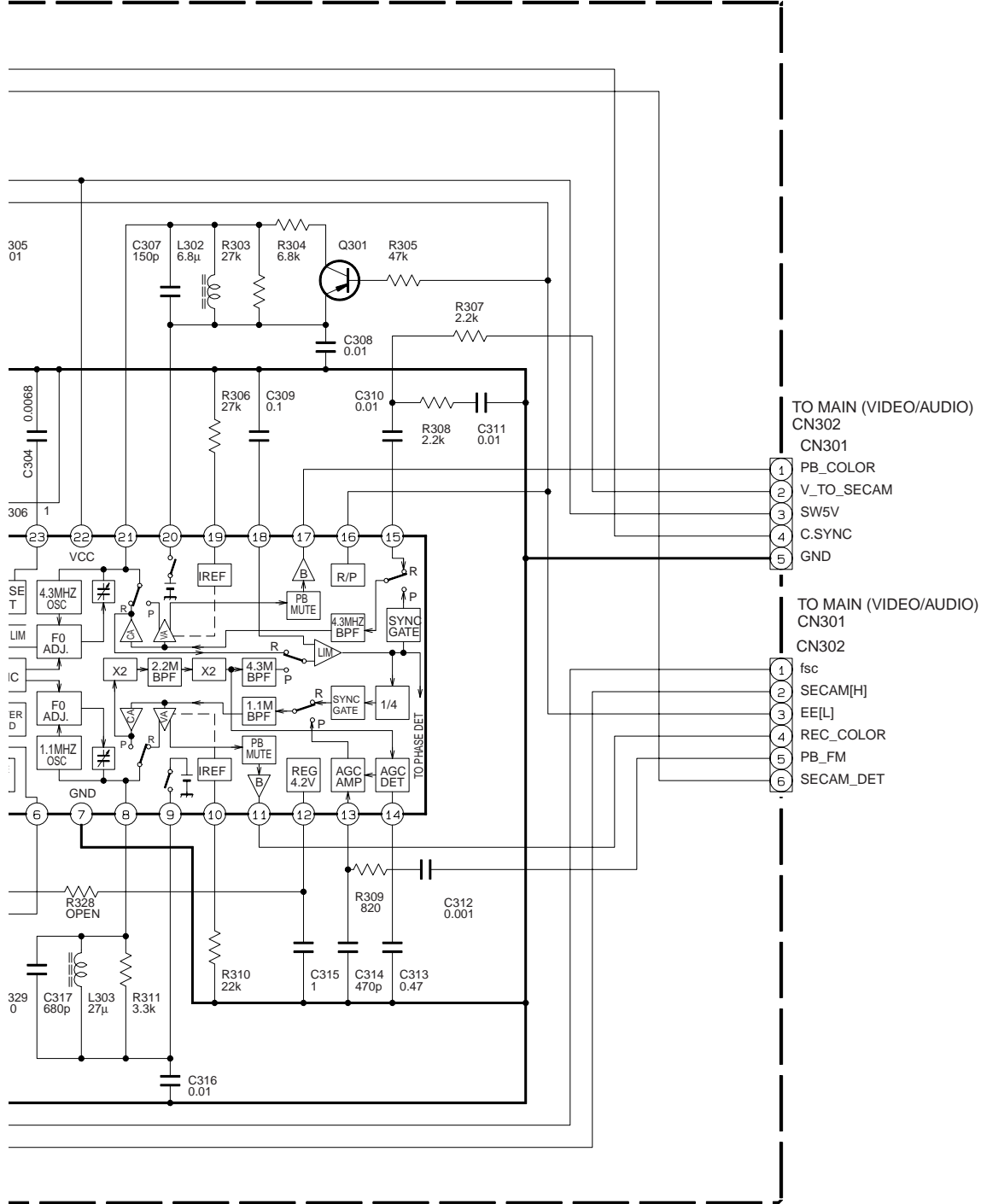


**SECTION 4**  
**CHARTS AND DIAGRAMS**



Parts Number, value and rated voltage etc. in the Schematic Diagram are for references only. When replacing the parts, refer to the Parts List.



## 4.2 SECAM CIRCUIT BOARD

<88> SECAM  
LPB10069-001A

